



■ **Features:**

- Universal AC input/Full range
- DC output voltage adjustable
- Protections: Short circuit/Over load/Over voltage/Over temperature
- Cooling by free air convection
- DIN rail TS-35/7.5 or 15 mountable
- LED indicator for power on
- 3 years warranty

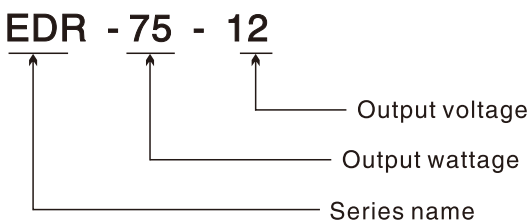
■ **Applications:**

- Industrial control system
- Semiconductor fabrication equipment
- Factory automation
- Electro-mechanical apparatus

■ **Description:**

EDR-75 is one economical slim 75W DIN rail power supply series, adapt to be installed on TS-35/7.5 or TS-35/15 mounting rails. The body is designed 32mm in width, which allows space saving inside the cabinets. The entire series adopts the full range AC input from 90VAC to 264VAC and conforms to BSEN /EN61000-3-2, the norm the European Union regulates for harmonic current. EDR-75 is designed with metal housing that enhances the unit's power dissipation. With working efficiency up to 88.5%, the entire series can operate at the ambient temperature between -20°C and 60°C under air convection. It is equipped with constant current mode for over-load protection, fitting various inductive or capacitive applications. The complete protection functions and relevant certificates for industrial control apparatus (IEC 62368-1, UL 508, UL 62368-1) make EDR-75 a very competitive power supply solution for industrial applications.

■ **Model Encoding**

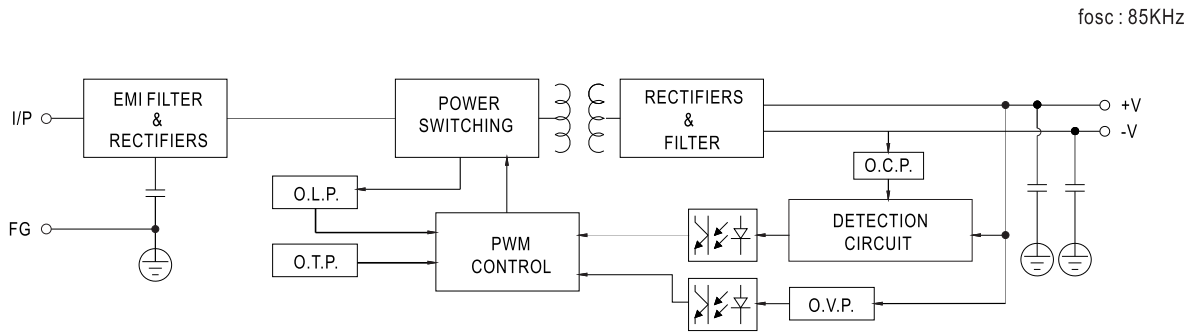


## SPECIFICATION

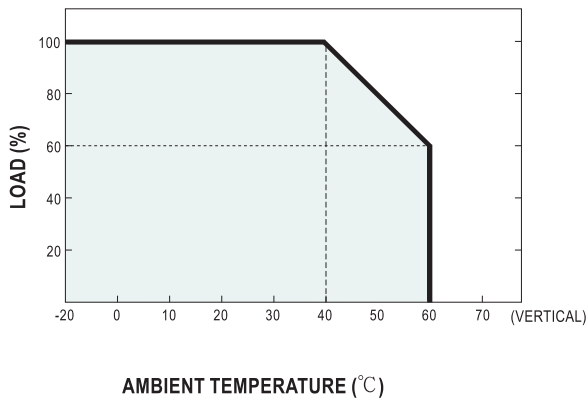
MODEL		EDR-75-12	EDR-75-24	EDR-75-48
Output	DC voltage	12V	24V	48V
	Rated current	6.3A	3.2A	1.6A
	Current range	0~6.2A	0~3.2A	0~1.6A
	Rated power	75.6W	76.8W	76.8W
	Ripple&noise	120mVp-p	240mVp-p	480mVp-p
	DC voltage ADJ. range	12~14V	24~28V	48~55V
	Voltage tolerance <small>Note.3</small>	±1.0%	±1.0%	±1.0%
	Line regulation <small>Note.4</small>	±0.5%	±0.5%	±0.5%
	Load regulation <small>Note.5</small>	±1.0%	±1.0%	±1.0%
	Setup, rise, hold up time	1200ms, 60ms, 60ms/230VAC 2000ms, 60ms, 12ms/115VAC(full load)		
Input	Voltage range	100~240VAC 47~63Hz, 141~339VDC		
	Efficiency	85.5%	87.5%	88.5%
	AC current	1.6A/115VAC 0.9A/230VAC		
	Inrush current	Cold start 20A/115VAC 35A/230VAC		
	leakage current	<1mA/240VAC		
Protection	Overload	Rated output power 105%~130% Start overload protection Protection type: constant current mode, auto-recovery after fault condition is removed		
	Over voltage	14~17V	29~33V	56~65V
	Over temperature	Turn off output, normal output can be restored after power restart		
Environment	Working temp& humidity	-20°C~+60°C (Please refer to "derating curve") 20%~90%RH, Non-condensing		
	Storage temp& humidity	-40~+85°C, 10~95%RH, Non-condensing		
	Temperature coefficient	±0.03%/°C (0~50°C)		
	Withstand vibration	10~500Hz, 2G 10min./1Cycle, Period for 60min, Each axes		
Safety	Withstand voltage	I/P-O/P: 1.5KVAC I/P-FG: 1.5KVAC O/P-FG: 0.5KVAC		
	Isolation resistance	I/P-O/P, I/P-FG, O/P-FG: 100M Ohms/500VDC/25°C/70%RH		
Standards compliance	Safety standards	UL508, TUV BS EN/EN62368-1, EAC TP TC 004, BSMI CNS14336; (meet BS EN/EN60204-1)		
	EMC emission	Compliance to BS EN/EN55032 (CLSPR32) Class A, BS EN/EN61000-3-2, -3, EAC TP TC 020, CNS13484 Class A		
	EMC immunity	Compliance to BS EN/EN61000-4-2, 3, 4, 5, 6, 8, 11, BS EN/EN55035, BS EN/EN61000-6-2 (BS EN/EN50082-2), Heavy Industry Standards, EAC TP TC 020		
Others	Dimension	32*125.2*102mm (W*H*D)		
	Weight	0.4kg/36pcs/15.4kg/1.24CUFT/0.035m <sup>3</sup>		

- Note:
- All parameters NOT specially mentioned are measured at 230VAC input, rated load and 25°C of ambient temperature.
  - Ripple & noise are measured at 20MHz of bandwidth by using a 12" twisted pair-wire terminated with a 0.1uf & 47uf parallel capacitor.
  - Tolerance : includes set up tolerance, line regulation and load regulation.
  - Line regulation is measured from low line to high line at rated load.
  - Load regulation is measured from 0% to 100% rated load
  - The ambient temperature derating of 5°C/1000 m is needed for operating altitude greater than 2000m(6500ft)
  - The power supply is considered as a component which will be installed into a final equipment. The final equipment must be re-confirmed that it still meets EMC directives. For guidance on how to perform these EMC tests.

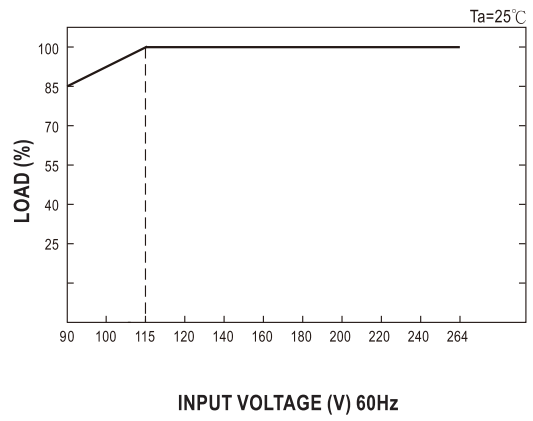
Block diagram



Derating curve

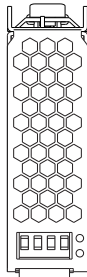


Static characteristic

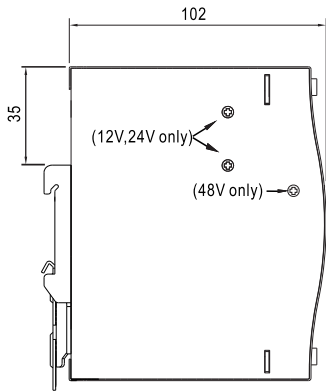


**Mechanical specification**

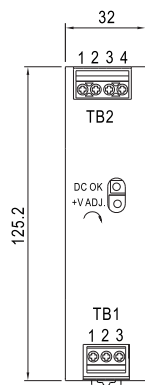
Unit:mm



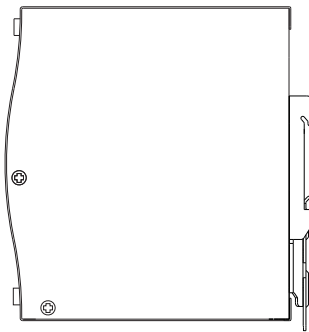
Top View



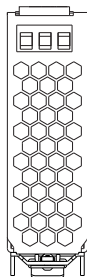
Side View



Front View



Side View



Bottom View

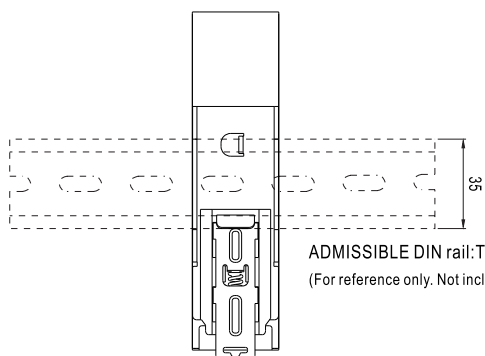
**Terminal Pin No. Assignment (TB1)**

Pin No.	Assignment
1	FG ⊕
2	AC/N or DC -
3	AC/L or DC +

**Terminal Pin No. Assignment (TB2)**

Pin No.	Assignment
1,2	DC OUTPUT -V
3,4	DC OUTPUT+V

**Installation Instruction**



Back View

ADMISSIBLE DIN rail:TS35/7.5 OR TS35/15  
(For reference only. Not included with unit.)